

# Making PVC/Plastic and Lattice Gates for Urban Herding

Contributed by: Sam Leitz, SchaSam Farm, Agility, Barn Hunt, NASDA & Treibball

**Equipment needed:** pipe cutter (hack saw, table saw, pipe cutter), PVC glue, zip ties or self drilling screws with rounded heads, screwdriver)

Use 3/4" PVC pipe cut to:

- ✓ Two 4 foot lengths (top & bottom of frame)
- ✓ Two 3 foot lengths (sides of frame)
- ✓ Two 4 inch lengths to connect frame to feet
- ✓ Four 12 inch lengths for feet

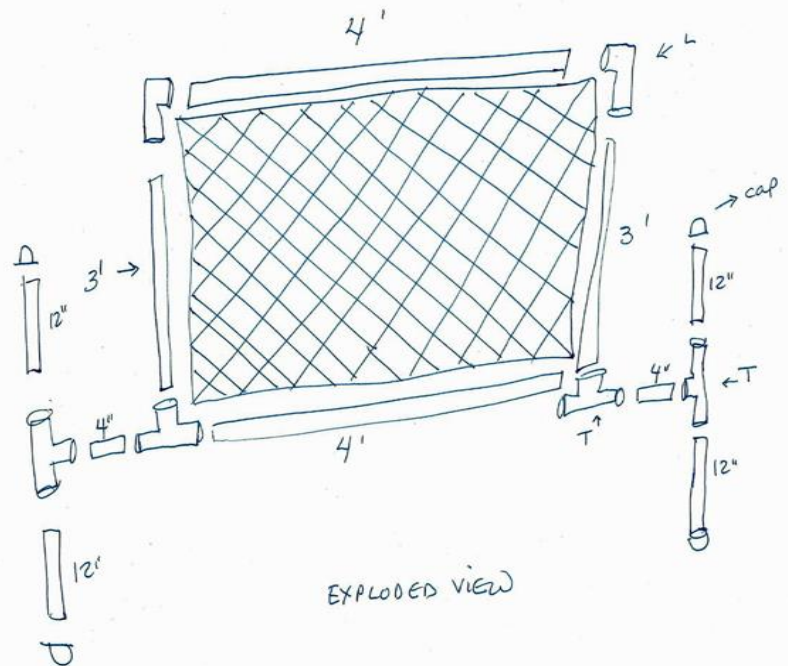
Plastic Lattice cut to 3 foot by 4 foot.

PVC 3/4" connectors:

- ✓ Two L shaped connectors (slide on)
- ✓ Two T shaped connectors (slide on)
- ✓ Four slide on caps

## Assembly:

I suggest you "dry fit" first - don't glue ANYTHING until you ensure it all fits. The connectors will add a bit of space so you may have to cut down your frame pipes a bit to match the lattice size.



Use the two L shaped connectors at the top left and top right of frame to connect the 4' sections of PVC to the 3' sections.

Use two of the T shaped connectors at the bottom left and right of frame to connection the 3' upright sections to the 4' base of the frame.

Place the lattice on the frame. You want the lattice to overlap the frame enough to either zip tie it with no gaps or to put a screw through the lattice to the frame. You may need to trim the frame pieces of PVC.

When you have verified the overlap and are confident everything fits, glue the L and T connectors to the vertical and horizontal pipe pieces.

Use zip ties or rounded head self drilling screws to connect the lattice to the PVC pipe frame.

Insert the 4" pieces into the bottom L shaped connectors. Glue the side that inserts into the frame.

Put a T connector on the end of each of the 4" pieces using the single opening (the vertical leg of the T). Do NOT glue - this will allow you to take the feet off or to rotate the feet for easy storage.

Insert the 12" pieces of PVC into the horizontal legs of the T connectors. These may be glued in.

Cap off the open ends of the 12" legs. You can fill the legs with sand if you wish before capping to provide for more stability. Glue caps on if desired.

HAVE FUN USING THESE GATES! I USE THEM TO DEFINE THE SIDES OF MY GOAL AREA AND OUT IN THE FIELD FOR THE DRIVING GAMES.